

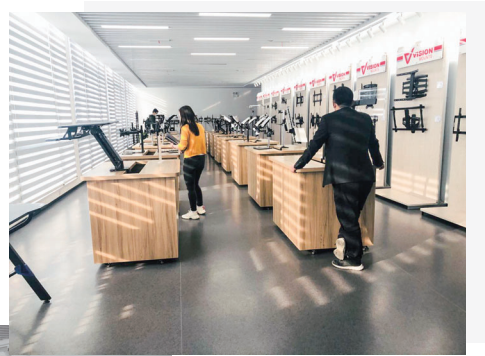


Gaming Desk Sit & Stand Desk

Dedicated in Mounting Solutions
For over 14 years

www.v-mounts.com





Company Introduction

Established in early 2000, Vision Mounts is a prime manufacturer who is specialized in designing and producing a comprehensive line of Universal LED/LCD Wall Mounts, Ceiling Mounts, Projector Mounts, Desktop Mounts, TV Stands, height adjustable desks, gaming desks and electric bed frame for Audio/Video applications in home or office, including user-friendly and environmental-friendly mounting solutions.

■ Engineering Capabilities

We have a dedicated R&D and Engineering team to support and to serve our customer's needs.

We introduce cutting-edge designs and state-of-the-art models annually.

■ Production Capabilities

We serve original equipment manufacturers, institutional and industrial customers, professional installers, as well as globe and national-wide retail chains.

■ Quality Assurance

As an ISO9001:2000 certified manufacturer, we have implemented the Total Quality Assurance system from raw material inspection, production processing control, to final inspection and packaging. We are committed to delivering the highest quality products that are easy to install and maintain with a competitive cost saving solutions.

We have a significant amount of products are TUV certified and comply with GS regulations.

■ Customer-Care-Services

Our devoted customer-care-service teams always ensure that your inquiries are responded in a timely fashion and your orders are on-time delivered. Customer satisfactions are guaranteed.

Trade Capacity

Having the right team involved from the beginning to the end of your project allows you to rest easy with the peace of mind knowing your investment and idea are in capable hands, VISION has the experience you need for successful product development from design, engineering, and manufacturing know how that brings your product quickly to life and into your customer's hands.



The World's Major Exhibition

We focused on supplying the innovative and affordable solution for global customers.
Simple contact us with your custom requirements. give us idea,we will give you a solution!



Hong Kong Show



Shanghai CIFF Show



China Sourcing Fair



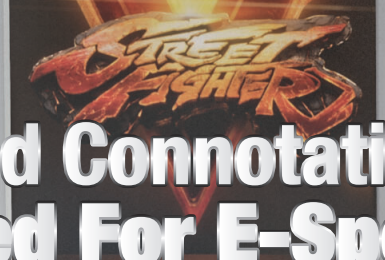
CES Show



Guangzhou CIFF Show



Cologne, Germany Show

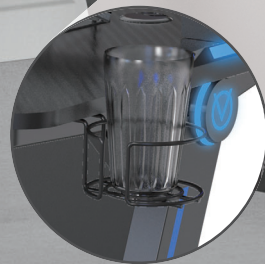


It Has Value And Connotation, And Is Designed For E-Sports.

Handle Frame
Model: A100



Headphone stand



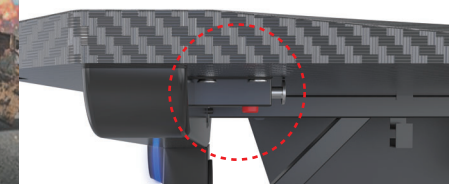
Cup Holder
Model: A101



Black MDF desktop with carbon fiber cover, safe and environmental.

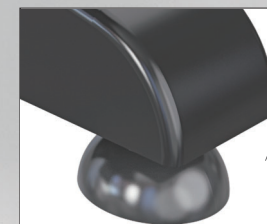


Quick assemble and disassemble between cross bars and legs in several minutes.



Unique cable management system.

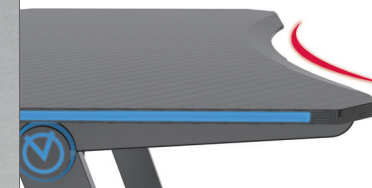
Adjustable desk feet.



Adjustable lift 10mm



Concave table side, easy to play.



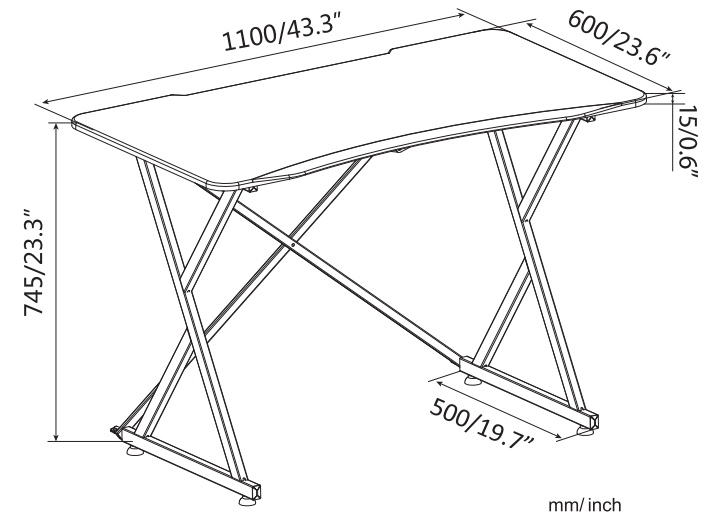
Gaming Desk / Entry Level

Fight For E-Sports...



Born for e-sports, the P2-level environment-friendly desktop, the X-shaped structure is more stable to use, different from the traditional screw-fixed quick-plug installation and unboxing to only a few minutes to complete.

When not in use, quickly fold the frame.



mm/ inch

Model	Max. Load	Wood Surface Material	LED Light in Desk Surface	LED Light in Legs	LED light Color	Cable Management	Cable Hidden in Legs	Power Board Holder	Fast Insert Desktop
VM-ES01	60kg/132lbs	MDF	No	No	No	Yes	No	No	Yes
VM-ES01-PB	60kg/132lbs	PB	No	No	No	Yes	No	No	Yes

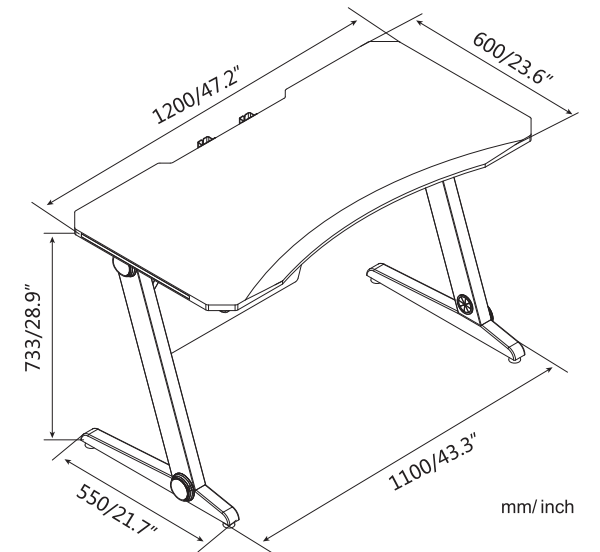
Gaming Desk / Entry Level

Fight For E-Sports...



Born for e-sports, the P2-level environment-friendly desktop, the X-shaped structure is more stable to use, different from the traditional screw-fixed quick-plug installation and unboxing to only a few minutes to complete.

Table leg hidden cable design

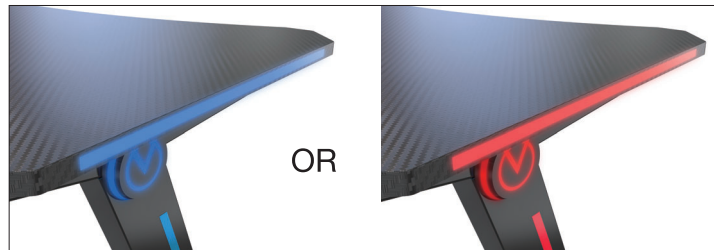


Model	Max. Load	Wood Surface Material	LED Light in Desk Surface	LED Light in Legs	LED light Color	Cable Management	Cable Hidden in Legs	Power Board Holder	Fast Insert Desktop
VM-ES03	60kg/132lbs	MDF	No	No	No	Yes	Yes	Yes	Yes
VM-ES03-PB	60kg/132lbs	PB	No	No	No	Yes	Yes	Yes	Yes

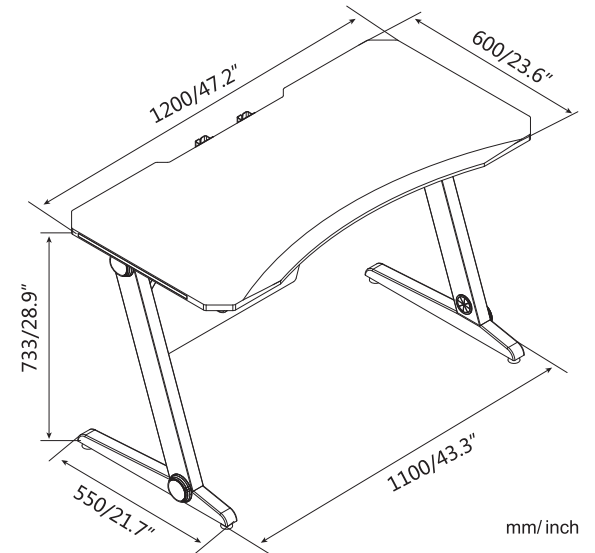
Gaming Desk / High Version

Fight For E-Sports...



Gamers Necessary Artifact!



Dynamic RGB LED Lights,
including desktop, and legs.



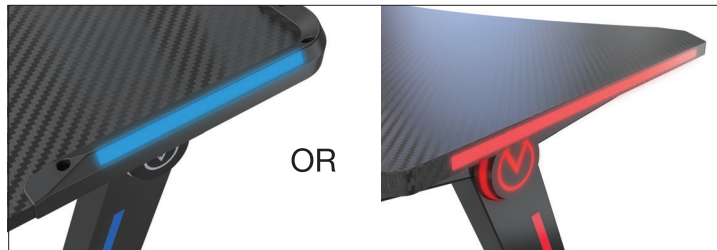
mm/inch

Model	Max. Load	Wood Surface Material	LED Light in Desk Surface	LED Light in Legs	LED light Color	Cable Management	Cable Hidden in Legs	Power Board Holder	Fast Insert Desktop
VM-ES02-1	80kg/176lbs	MDF	Yes	Yes	Single  (Red/Blue/Golden)	Yes	Yes	Yes	Yes
VM-ES02-2	80kg/176lbs	MDF	Yes	Yes	RGB with remote control 	Yes	Yes	Yes	Yes

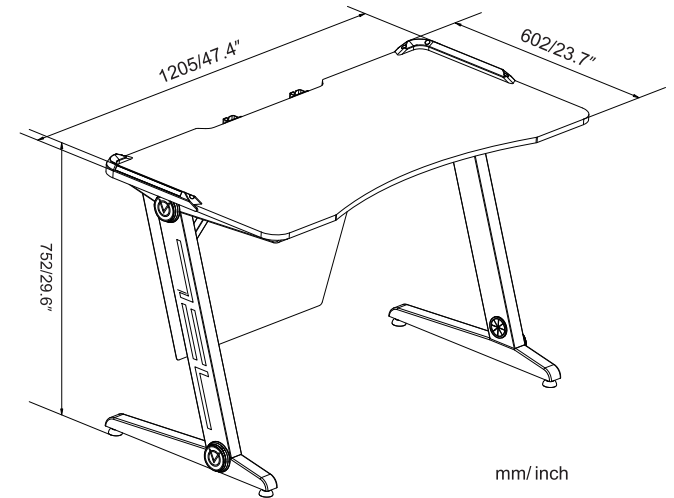
Gaming Desk / High Version



Fight For E-Sports...

Gamers Necessary Artifact!



Dynamic RGB LED Lights, including desktop, and legs.



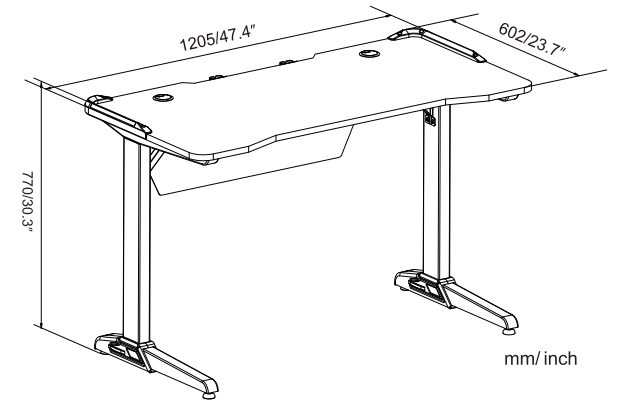
Model	Max. Load	Wood Surface Material	LED Light in Desk Surface	LED Light in Legs	LED light Color	Cable Management	Cable Hidden in Legs	Power Board Holder	Fast Insert Desktop
VM-ES02-1-PB	80kg/176lbs	PB	Yes	No	Single  (Red/Blue/Golden)	Yes	Yes	Yes	Yes
VM-ES02-2-PB	80kg/176lbs	PB	Yes	No	RGB with remote control 	Yes	Yes	Yes	Yes

Gaming Desk / High Version

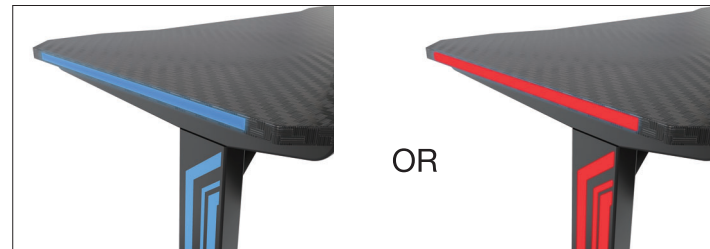
Fight For E-Sports...






VM-ES04



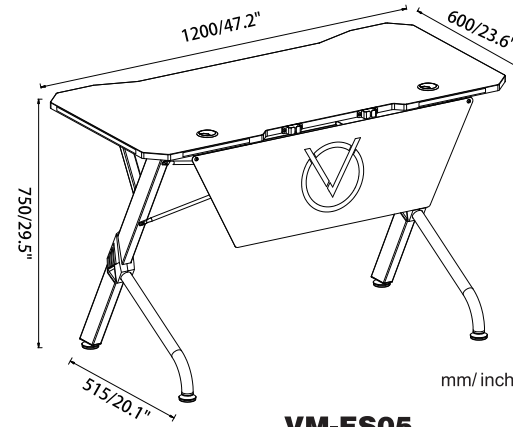
VM-ES04-PB



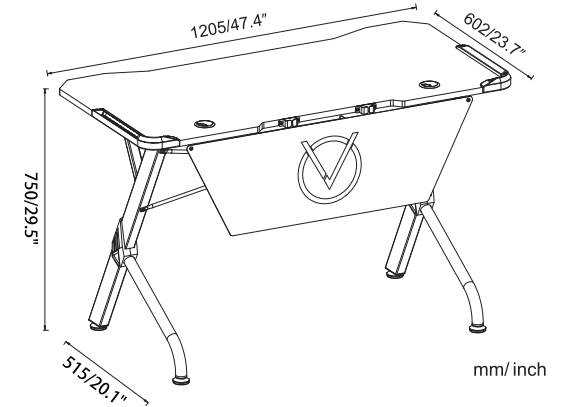
Model	Max. Load	Wood Surface Material	LED Light in Desk Surface	LED Light in Legs	LED light Color	Cable Management	Cable Hidden in Legs	Power Board Holder	Fast Insert Desktop
VM-ES04-1	80kg/176lbs	MDF	Yes	No	Single  (Red/Blue/Golden)	Yes	No	Yes	Yes
VM-ES04-2	80kg/176lbs	MDF	Yes	No	RGB with remote control 	Yes	No	Yes	Yes
VM-ES04-PB	80kg/176lbs	PB	Yes	No	Single  (Red/Blue/Golden)	Yes	No	Yes	Yes

Gaming Desk / High Version

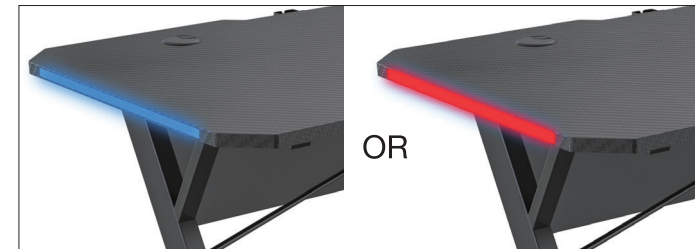
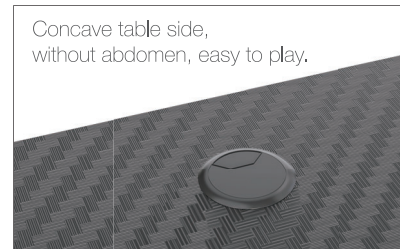
Fight For E-Sports...



VM-ES05





VM-ES05-PB



Dynamic RGB LED Lights, including desktop, and legs.

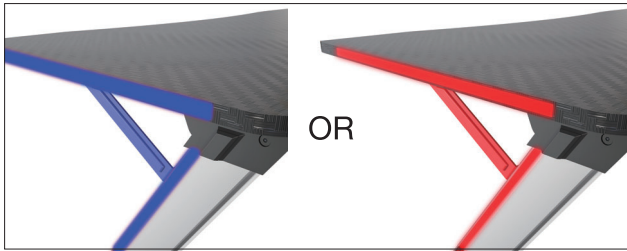


Model	Max. Load	Wood Surface Material	LED Light in Desk Surface	LED Light in Legs	LED light Color	Cable Management	Cable Hidden in Legs	Power Board Holder	Fast Insert Desktop
VM-ES05-1	80kg/176lbs	MDF	Yes	No	Single  (Red/Blue/Golden)	Yes	No	Yes	No
VM-ES05-2	80kg/176lbs	MDF	Yes	No	RGB with remote control 	Yes	No	Yes	No
VM-ES05-PB	80kg/176lbs	PB	Yes	No	Single  (Red/Blue/Golden)	Yes	No	Yes	No

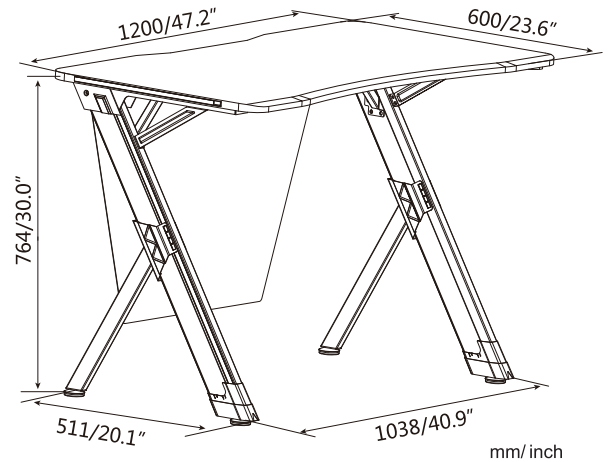




Aluminum Profile Structure

HOT



Dynamic RGB LED Lights, including desktop, and legs.

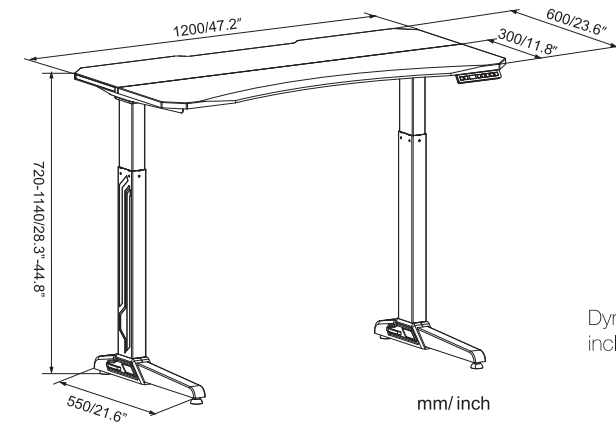
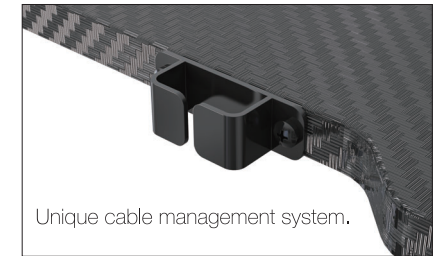
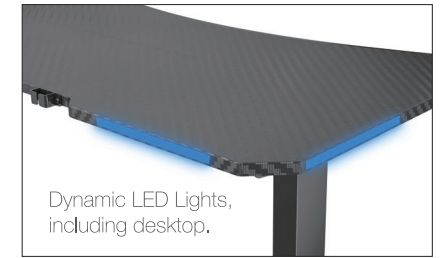


Model	Max. Load	Wood Surface Material	LED Light in Desk Surface	LED Light in Legs
VM-ES06	80kg/176lbs	MDF	Yes	Yes
VM-ES06-PB	80kg/176lbs	PB	Yes	Yes
LED light Color	Cable Management	Cable Hidden in Legs	Power Board Holder	Fast Insert Desktop
Single  (Red/Blue/Golden)	Yes	No	Yes	Yes
Single  (Red/Blue/Golden)	Yes	No	Yes	Yes

Electric Height Adjustable Gaming Desk

Double motor and double leg lifting, the lifting is more stable.

NEW



Dynamic RGB LED Lights, including desktop.

Model	Max. Load	Wood Surface Material	LED Light in Desk Surface	LED Light in Legs
VM-ESE02	80kg/176lbs	MDF	Yes	No
Table Leg	Motion Noise	Speed	Power Input	Operating Temperature
Rectangular column standard	<55dB	25mm/s	110-240V	-20°~+50°

Electric Height Adjustable Gaming Desk

Double motor and double leg lifting, the lifting is more stable.



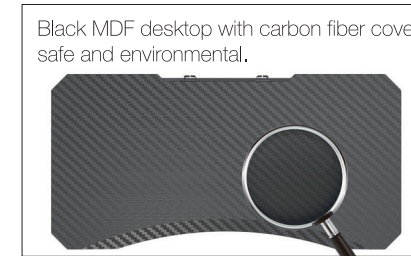
NEW



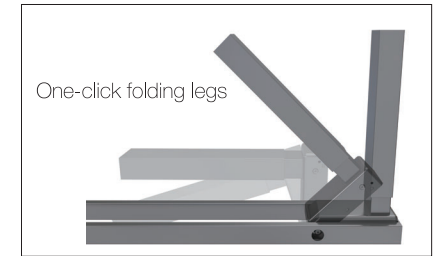
Digital LED Controller 4 Programmable and Memory Presets.



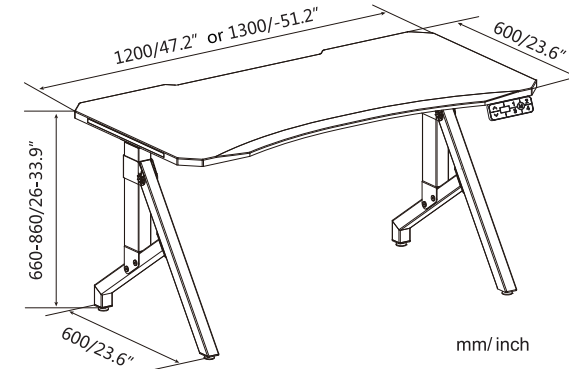
Dynamic LED Lights, including desktop.



Black MDF desktop with carbon fiber cover, safe and environmental.



One-click folding legs



Dynamic RGB LED Lights, including desktop.

Model	Max. Load	Wood Surface Material	LED Light in Desk Surface	LED Light in Legs
VM-ESE122	100kg/220lbs	MDF	Yes	No
Table Leg	Motion Noise	Speed	Power Input	Operating Temperature
Rectangular column standard	< 55dB	25mm/s	110-240V	-20°~+50°



Sit & Stand Desk/Desk Frame

Office, Home, Hospital, School Scenarios

- ① Double motor legs lifting, bid farewell to cumbersome hand adjustment, 25mm / s lifting speed, <27 seconds safe to reach the highest point.
- ② Two office positions, the two sides of the lift do not interfere with each other, one machine is more convenient.



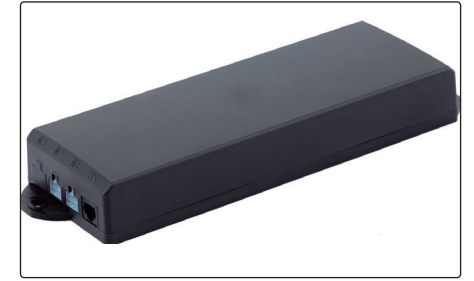
One Frame Fits All
BRACKET TECHNOLOGY



Create a customized Desktop
Use your imagination.



4 optional control panel available
Adjust your desk height with ease



Switched Mode Power Supply
Small power consumption, high efficiency



Width Adjustable
Fit working environment.



Collision Avoidance System
Stop the desk if it bumps into a solid object while moving up or down.



Variety of Colors
Snow white. Industrial Grey. Black Night



Heavy Load
The unbeatable affordable adjustable desk.



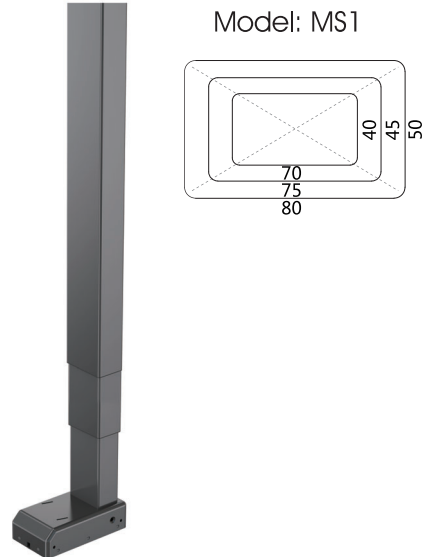
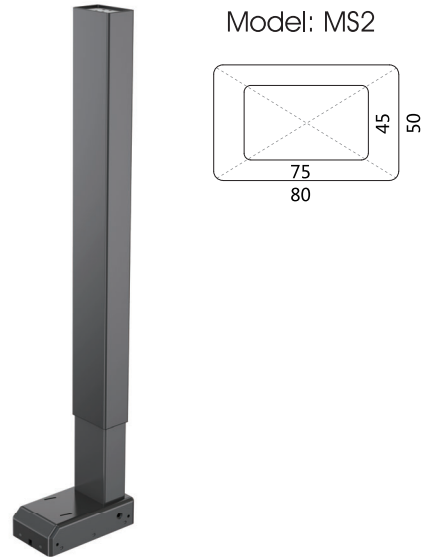
Maximum Strength and Stability
Adjustable foot pad.



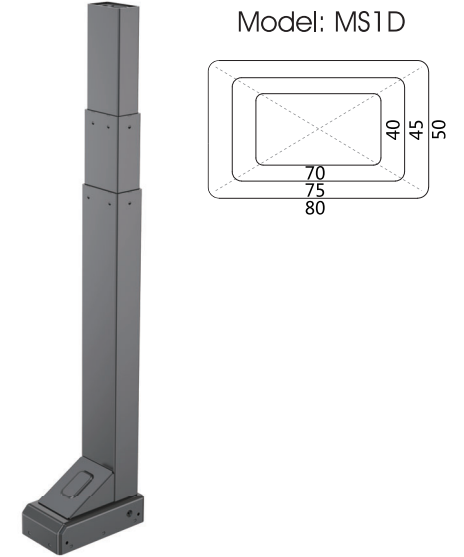
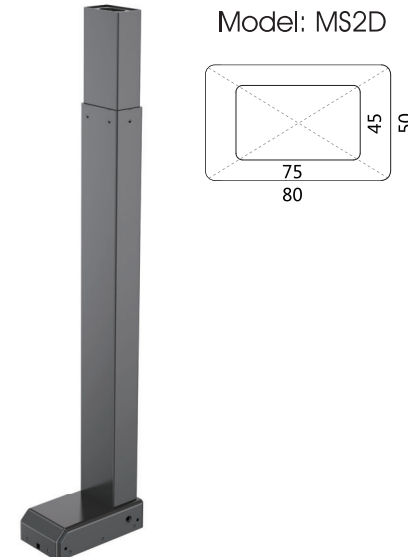
Height Adjustable
Height adjustable range: 28" -45.7"

Various Lifting Columns

Rectangular Standard



Rectangular Reversed



Two-stage Leg

Input voltage: 20V (DC)

Maximum load: 800N

Maximum speed: 25mm/s

Stroke: 450mm

Color: black, white and silver

Three-stage Leg

Input voltage: 20V (DC)

Maximum load: 800N

Maximum speed: 30mm/s

Stroke: 650mm

Color: black, white and silver

Two-stage Leg

Input voltage: 20V (DC)

Maximum load: 1000N

Maximum speed: 25mm/s

Stroke: 450mm

Color: black, white and silver

Three-stage Leg

Input voltage: 20V (DC)

Maximum load: 800N

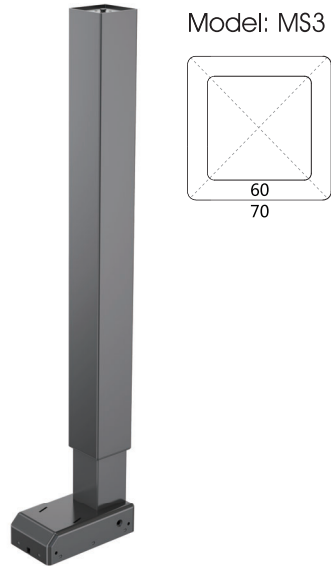
Maximum speed: 30mm/s

Stroke: 650mm

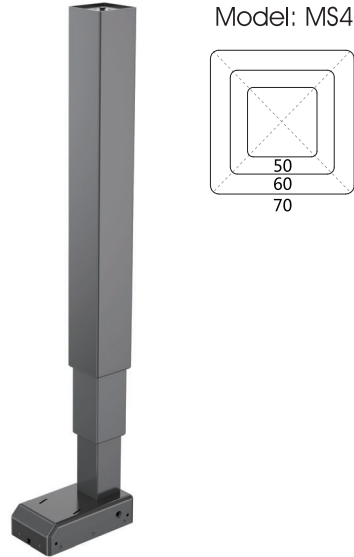
Color: black, white and silver

Various Lifting Columns

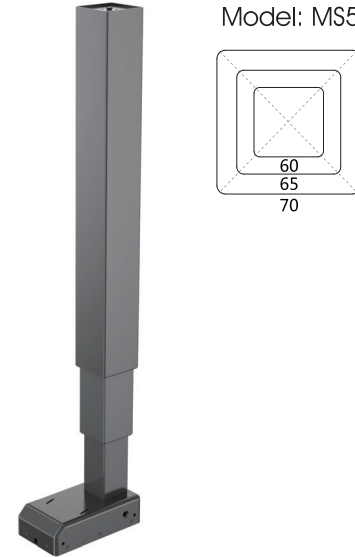
Square Standard



Model: MS3



Model: MS4



Model: MS5

Two-stage Leg

Input voltage: 20V (DC)

Maximum load: 1000N

Maximum speed: 25mm/s

Stroke: 450mm

Color: black, white and silver

Three-stage Leg

Input voltage: 20V (DC)

Maximum load: 800N

Maximum speed: 30mm/s

Stroke: 650mm

Color: black, white and silver

Three-stage Leg

Input voltage: 20V (DC)

Maximum load: 800N

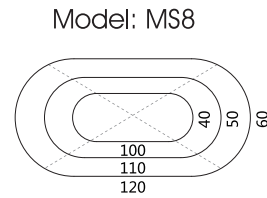
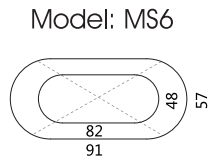
Maximum speed: 30mm/s

Stroke: 650mm

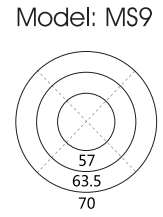
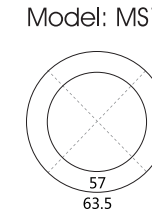
Color: black, white and silver

Various Lifting Columns

Elliptical Standard



Round Standard



Two-stage Leg

Input voltage: 20V (DC)

Maximum load: 1000N

Maximum speed: 25mm/s

Stroke: 450mm

Ambient temperature: 0-40°C

Three-stage Leg

Input voltage: 20V (DC)

Maximum load: 800N

Maximum speed: 30mm/s

Stroke: 650mm

Ambient temperature: 0-40°C

Two-stage Leg

Input voltage: 20V (DC)

Maximum load: 800N

Maximum speed: 30mm/s

Stroke: 650mm

Ambient temperature: 0-40°C

Three-stage Leg

Input voltage: 20V (DC)

Maximum load: 800N

Maximum speed: 30mm/s

Stroke: 650mm

Ambient temperature: 0-40°C

Control Panel

VM-HED-H01



Memory Presets Ideal for co-workers or family
LED display, real-time display height
Four optional height presets are more convenient meet your needs

VM-HED-H02



Memory Presets Ideal for co-workers or family
LED display, real-time display height
Four optional height presets are more convenient meet your needs

VM-HED-H05



Memory Presets Ideal for co-workers or family
LED display, real-time display height
Four optional height presets are more convenient meet your needs

VM-HED-H06



Two button remote.
Up/down switch

Control Box

VM-HED-K01



VM-HED-K02



Using advanced power management technology
The standby consumption is only 0.1W;green and environmental protection.
Meet your need and provide reasonable power control system for each adjustable table.

Sit & Stand Desk Accessories

In recent years, numerous studies in various countries around the world have confirmed that prolonged meditation can affect health. According to a survey by the American Cancer Society, sitting for 6 hours a day is prone to heart disease and cancer, and the chance of premature death is also higher than 37%. The concept of "seating affects health" has been recognized by more and more people "Style office" is quietly emerging.



Sit & Stand Desk Accessories

① Under-Desk CPU Mount

Elastically stretched up and down 15kg load, suspended installation rotatable design for easy routing.



VM-HED-B



VM-HED-B-T



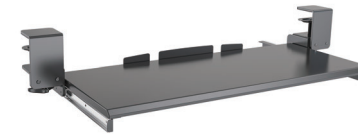
VM-HED-B-F

② Keyboard tray

keyboard tray can be pushed out and in
Max loading 5kg



VM-KB01



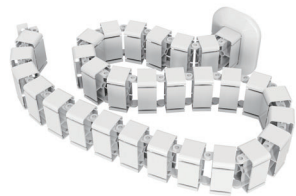
VM-KB04



VM-ESA61

③ Cable management spine

Freely change the length to perfectly solve the messy problem.



VM-HED-S

④ Acoustic Desktop Privacy Panel

Divide office areas and increase work efficiency
Flame retardant material, safer



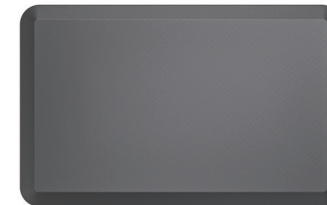
VM-FS202

Color Optional

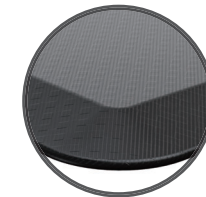


⑤ Anti-Fatigue Standing Mat

Anti-fatigue Mat Comfortable foot rest
Dimensions: 510x810x18mm
Weight: 1.7kg



VM-MAT01



Textured,
Anti-Slip Bottom

Sit & Stand Desk (Rectangular Column/Single Motor)

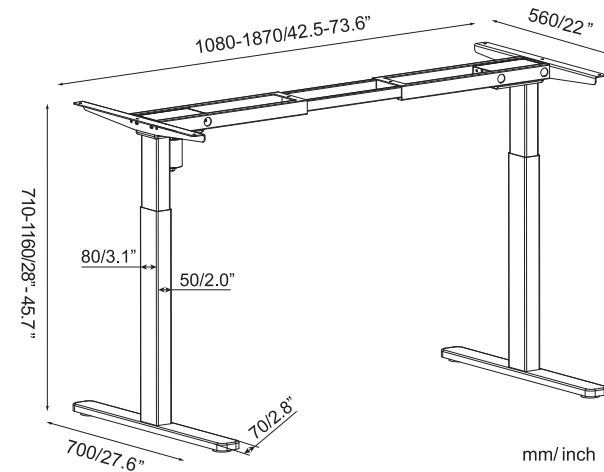
Ergonomic design, standing alternately.



VM-HED101

- Load Capability:80kg
- Frame Color:Black/White/Silver
- By Function:Electric
- Material:Steel
- Table top Options:1200x680/1500x680/1800x680
- Speed:25mm/s
- Power Input:110-240V
- Motion Noise:< 55dB
- Ip Grade:IP20
- Operation Temperature:-20°~+50°

✓ Rectangular Column ✓ Standard ✓ Two-stage



Sit & Stand Desk (Rectangular Column/Single Motor)

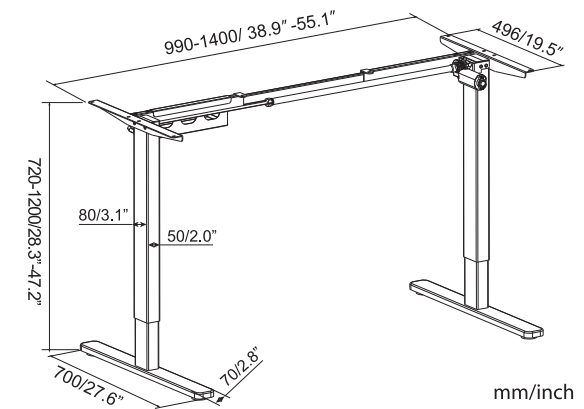
Ergonomic design, standing alternately.



VM-HED121

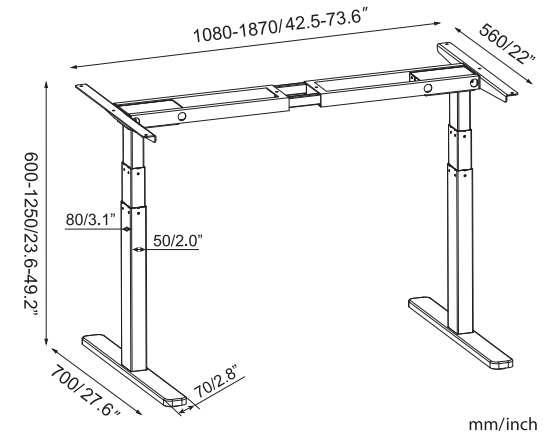
- Load Capability:100kg
- Frame Color:Black/White/Silver
- By Function:Electric
- Material:Steel
- Table top Options:1200x600/1500x600
- Speed:25mm/s
- Power Input:110-240V
- Motion Noise:< 55dB
- Ip Grade:IP20
- Operation Temperature:-20°~+50°

Rectangular Column Reversed Two-stage



Sit & Stand Desk (Rectangular Column/Dual Motor)

Ergonomic design, standing alternately.



VM-HED102

- Load Capability:100kg
- Frame Color:Black/White/Silver
- By Function:Electric
- Material:Steel
- Table top Options:1200x680/1500x680/1800x680
- Speed:25mm/s
- Power Input:110-240V
- Motion Noise:< 55dB
- Ip Grade:IP20
- Operation Temperature:-20°~+50°

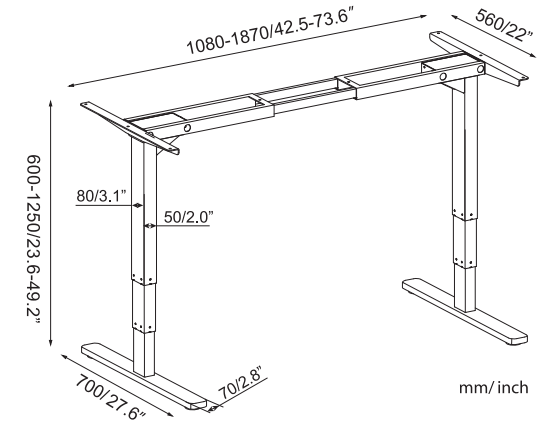
Rectangular Column Standard Three-stage

Sit & Stand Desk (Rectangular Column/Dual Motor)

Ergonomic design, standing alternately.



Smooth pneumatic legs



VM-HED102D

- Load Capability:100kg
- Frame Color:Black/White/Silver
- By Function:Electric
- Material:Steel
- Table top Options:1200x680/1500x680/1800x680
- Speed:25mm/s
- Power Input:110-240V
- Motion Noise:< 55dB
- Ip Grade:IP20
- Operation Temperature:-20°~+50°

Rectangular Column Reversed Three-stage

Sit & Stand Desk (Rectangular Column/Triple Motor)

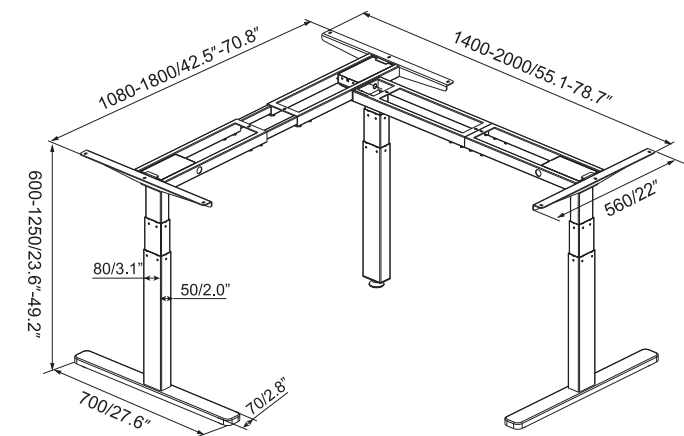
Ergonomic design, standing alternately.



VM-HED103-90

- Load Capability:120kg
- Frame Color:Black/White/Silver
- By Function:Electric
- Material:Steel
- Table top Options:1200x680/1500x680/1800x680
- Speed:25mm/s
- Power Input:110-240V
- Motion Noise: < 55dB
- Ip Grade:IP20
- Operation Temperature:-20°~+50°

Rectangular Column Standard Three-stage



mm/inch

Sit & Stand Desk (Rectangular Column/Four Motor)

Ergonomic design, standing alternately.



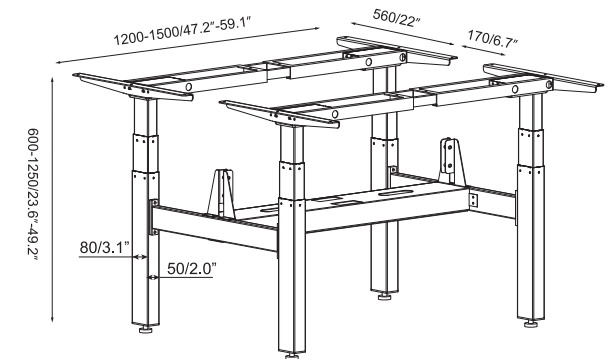
Built-in socket design,
more convenient



VM-HED104

- Load Capability:100kg
- Frame Color:Black/White/Silver
- By Function:Electric
- Material:Steel
- Table top Options:1200x600/1500x600
- Speed:25mm/s
- Power Input:110-240V
- Motion Noise: < 55dB
- Ip Grade:IP20
- Operation Temperature:-20°~+50°

Rectangular Column Standard Three-stage



mm/inch

Sit & Stand Desk (Rectangular Column/Four Motor)

Ergonomic design, standing alternately.

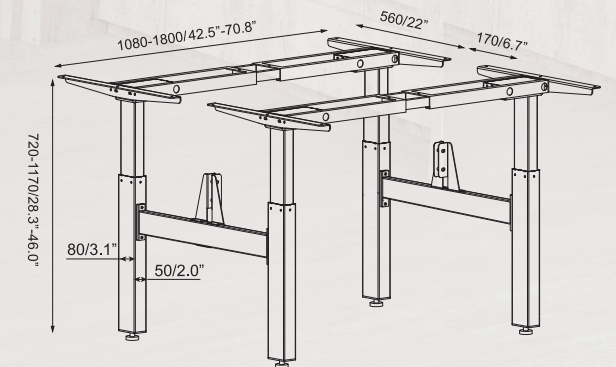


NEW

VM-HED124

- Load Capability:100kg
- Frame Color:Black/White/Silver
- By Function:Electric
- Material:Steel
- Table top Options:1200x680/1500x680/1800x680
- Speed:25mm/s
- Power Input:110-240V
- Motion Noise: < 55dB
- Ip Grade:IP20
- Operation Temperature:-20°~+50°

Rectangular Column Standard Two-stage



mm/inch

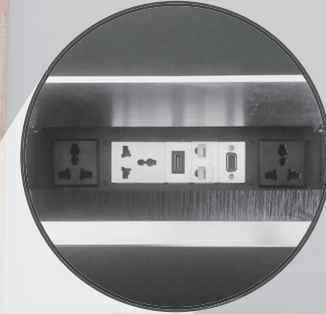
Used For Meetings

VM-HED124-M

- Load Capability:150kg
- Frame Color:Black/White/Silver
- By Function:Electric
- Material:Steel
- Speed:25mm/s
- Power Input:110-240V
- Motion Noise:< 55dB
- Ip Grade:IP20
- Operation Temperature:-20°~+50°

Rectangular Column Standard Two-stage

The desktop integrated multi-function socket system



Sit & Stand Desk (Square Column/Dual Motor)

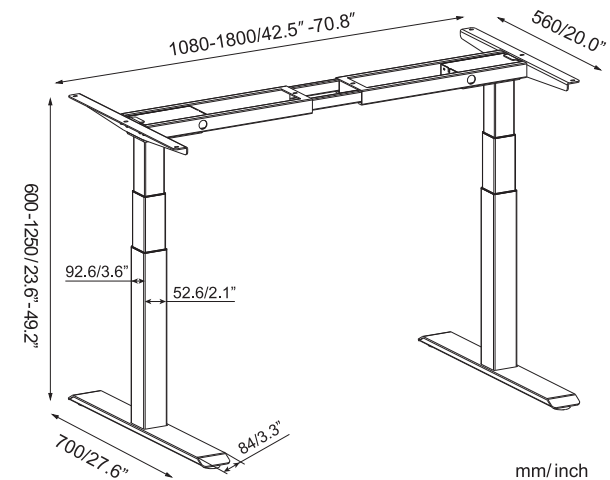
Ergonomic design, standing alternately.



VM-HED302

- Load Capability:100kg
- Frame Color:Black/White/Silver
- By Function:Electric
- Material:Steel
- Table top Options:1200x680/1500x680/1800x680
- Speed:25mm/s
- Power Input:110-240V
- Motion Noise:< 55dB
- Ip Grade:IP20
- Operation Temperature:-20°~+50°

Square Column Standard Three-stage



Sit & Stand Desk (Square Column/Dual Motor)

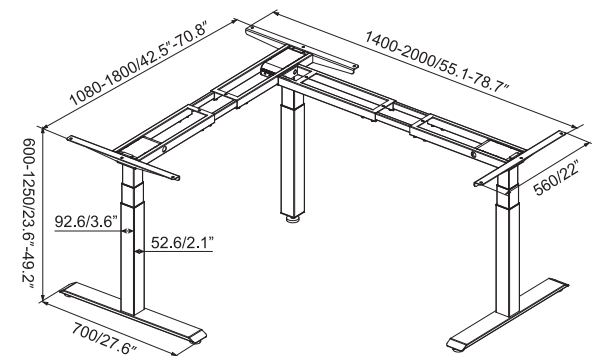
Ergonomic design, standing alternately.



VM-HED303-90

- Load Capability:100kg
- Frame Color:Black/White/Silver
- By Function:Electric
- Material:Steel
- Table top Options:1200x680/1500x680/1800x680
- Speed:25mm/s
- Power Input:110-240V
- Motion Noise: < 55dB
- Ip Grade:IP20
- Operation Temperature:-20°~+50°

Square Column Standard Three-stage



mm/inch

Sit & Stand Desk (Square Column/Dual Motor)

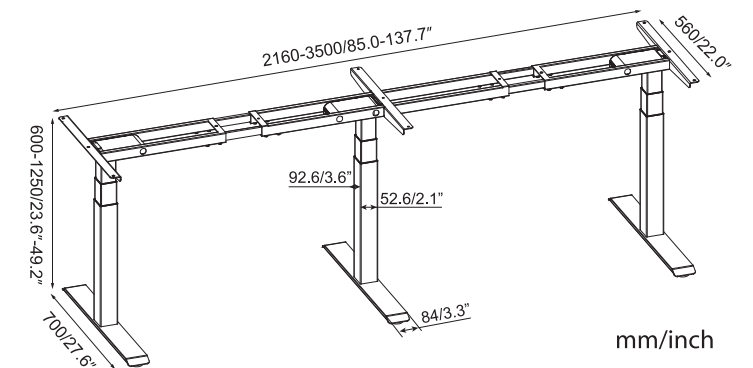
Ergonomic design, standing alternately.



VM-HED303-180

- Load Capability:120kg
- Frame Color:Black/White/Silver
- By Function:Electric
- Material:Steel
- Table top Options:1200x680/1500x680/1800x680
- Speed:25mm/s
- Power Input:110-240V
- Motion Noise:< 55dB
- Ip Grade:IP20
- Operation Temperature:-20°~+50°

Square Column Standard Three-stage



Sit & Stand Desk (Elliptical Column/Dual Motor)

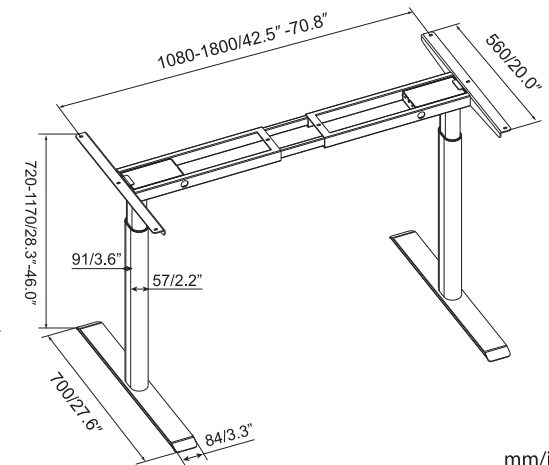
Ergonomic design, standing alternately.



VM-HED422

- Load Capability:100kg
- Frame Color:Black/White/Silver
- By Function:Electric
- Material:Steel
- Table top Options:1200x680/1500x680/1800x680
- Speed:25mm/s
- Power Input:110-240V
- Motion Noise:< 55dB
- Ip Grade:IP20
- Operation Temperature:-20°~+50°

Elliptical Column Standard Two-stage



Sit & Stand Desk (Elliptical Column/Triple Motor)

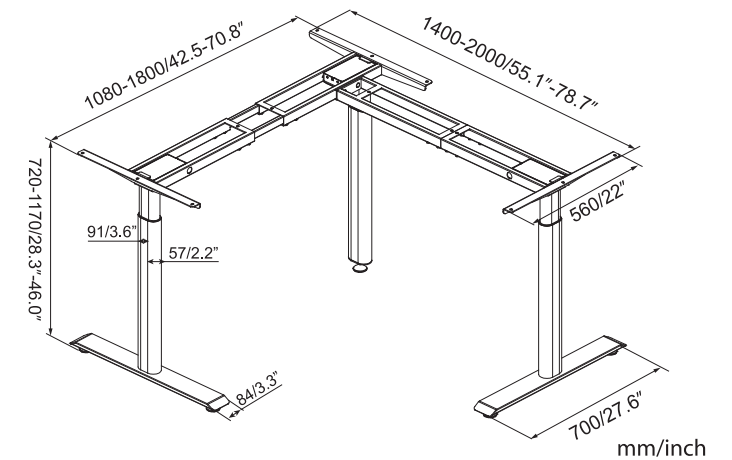
Ergonomic design, standing alternately.



VM-HED423-90

- Load Capability:120kg
- Frame Color:Black/White/Silver
- By Function:Electric
- Material:Steel
- Table top Options:1200x680/1500x680/1800x680
- Speed:25mm/s
- Power Input:110-240V
- Motion Noise:< 55dB
- Ip Grade:IP20
- Operation Temperature:-20°~+50°

Elliptical Column Standard Two-stage



Sit & Stand Desk (Elliptical Column/Triple Motor)

Ergonomic design, standing alternately.

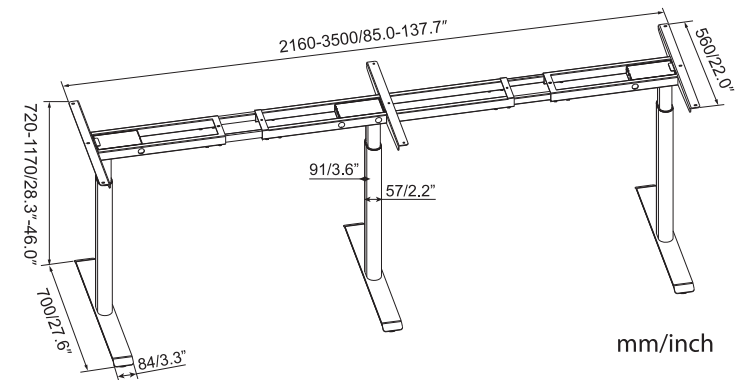
Very large and spacious desktop !

NEW

VM-HED423-180

- Load Capability:120kg
- Frame Color:Black/White/Silver
- By Function:Electric
- Material:Steel
- Table top Options:1200x680/1500x680/1800x680
- Speed:25mm/s
- Power Input:110-240V
- Motion Noise:< 55dB
- Ip Grade:IP20
- Operation Temperature:-20°~+50°

Elliptical Column Standard Two-stage



Sit & Stand Desk (Round Column/Dual Motor)

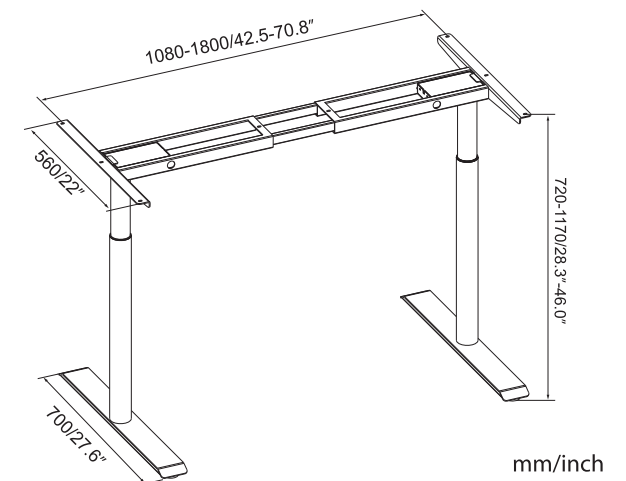
Ergonomic design, standing alternately.



VM-HED522

- Load Capability:100kg
- Frame Color:Black/White/Silver
- By Function:Electric
- Material:Steel
- Table top Options:1200x680/1500x680/1800x680
- Speed:25mm/s
- Power Input:110-240V
- Motion Noise:< 55dB
- Ip Grade:IP20
- Operation Temperature:-20°~+50°

Round Column Standard Two-stage



Sit & Stand Desk (Round Column/Triple Motor)

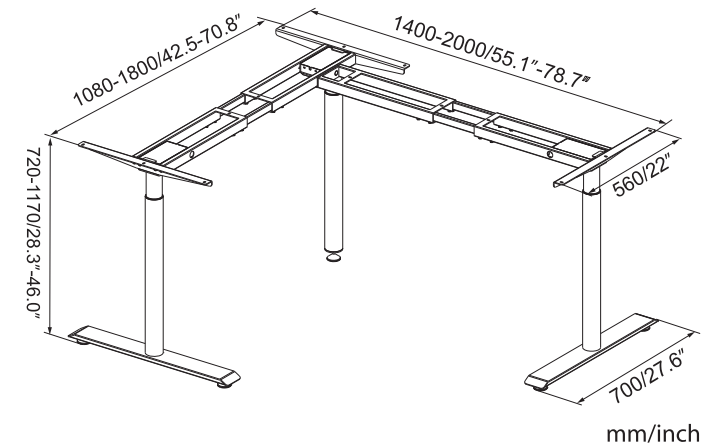
Ergonomic design, standing alternately.



VM-HED523-90

- Load Capability:120kg
- Frame Color:Black/White/Silver
- By Function:Electric
- Material:Steel
- Table top Options:1200x680/1500x680/1800x680
- Speed:25mm/s
- Power Input:110-240V
- Motion Noise:< 55dB
- Ip Grade:IP20
- Operation Temperature:-20°~+50°

Round Column Standard Two-stage



Sit & Stand Desk (Round Column/Triple Motor)

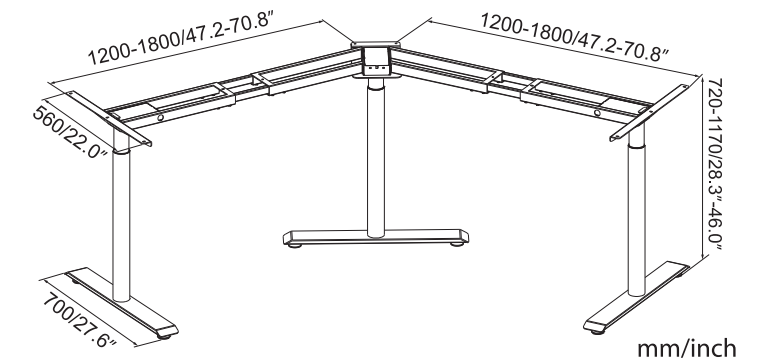
Ergonomic design, standing alternately.



VM-HED523-120

- Load Capability:120kg
- Frame Color:Black/White/Silver
- By Function:Electric
- Material:Steel
- Table top Options:1200x680/1500x680/1800x680
- Speed:25mm/s
- Power Input:110-240V
- Motion Noise:< 55dB
- Ip Grade:IP20
- Operation Temperature:-20°~+50°

Round Column Standard Two-stage



Sit & Stand Desk (Round Column/Triple Motor)

Ergonomic design, standing alternately.

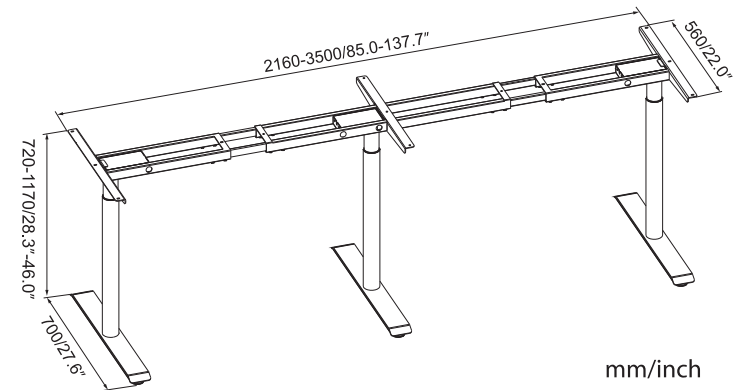
Very large and spacious desktop !

NEW

VM-HED523-180

- Load Capability:120kg
- Frame Color:Black/White/Silver
- By Function:Electric
- Material:Steel
- Table top Options:1200x680/1500x680/1800x680
- Speed:25mm/s
- Power Input:110-240V
- Motion Noise:< 55dB
- Ip Grade:IP20
- Operation Temperature:-20°~+50°

Round Column Standard Two-stage



Sit & Stand Desk (Rectangular Column/Dual Motor) *Optimized version*

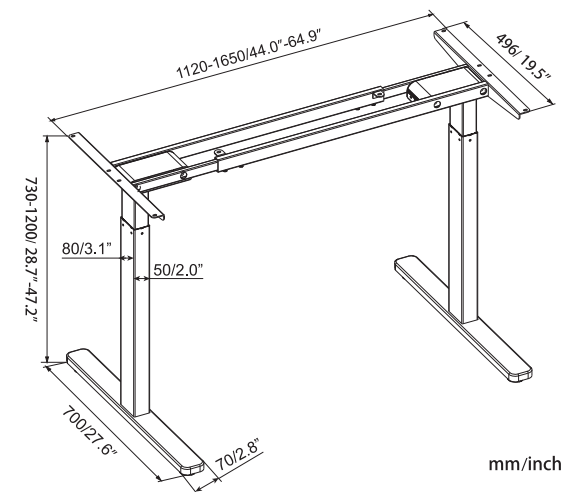
Ergonomic design, standing alternately.



VM-GHED122

- Load Capacity:80kg
- Frame Color:Black/White/Silver
- By Function:Electric
- Material:Steel
- Table top Options:1200x680/1600x680
- Speed:25mm/s
- Power Input:110-240V
- Motion Noise:< 55dB
- Ip Grade:IP20
- Operation Temperature:-20°~+50°

Rectangular Column Standard Two-stage



Sit & Stand Desk (Rectangular Column/Triple Motor) *Optimized version*

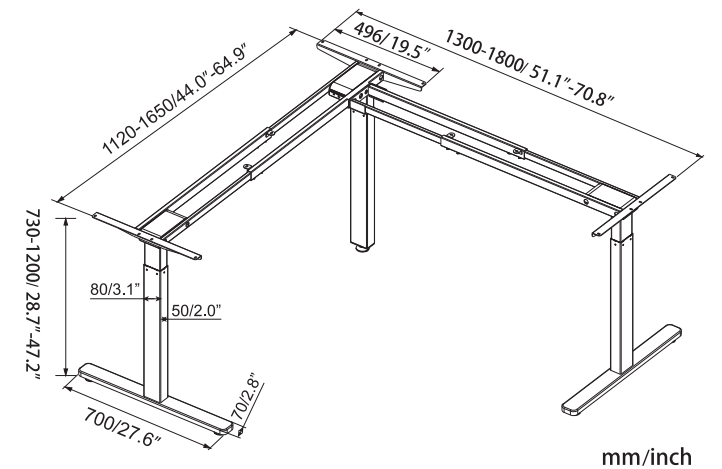
Ergonomic design, standing alternately.



VM-GHED123

- Load Capability:120kg
- Frame Color:Black/White/Silver
- By Function:Electric
- Material:Steel
- Table top Options:1200x680/1500x680/1800x680
- Speed:25mm/s
- Power Input:110-240V
- Motion Noise:< 55dB
- Ip Grade:IP20
- Operation Temperature:-20°~+50°

Rectangular Column Standard Two-stage



Sit & Stand Desktop

Freely switch between sitting and standing



Sit & Stand Desktop

This mobile workstation is a perfect companion for versatile to work habits.

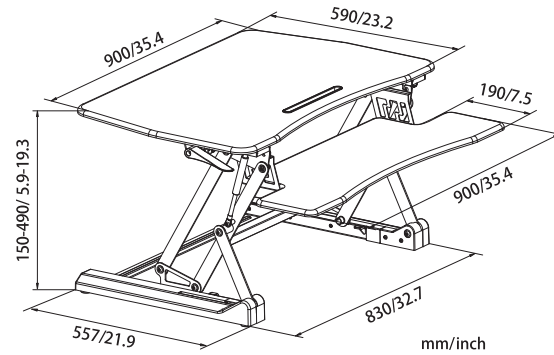


Sit & Stand Desktop

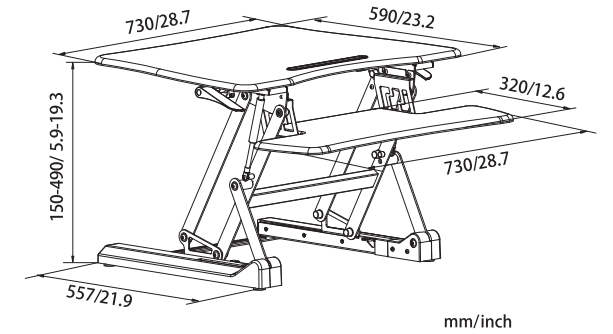
- Desktop Load Capability:4-15kgs/8.8-33lbs
- Keyboard Load Capability: 2kgs/5lbs
- By Function:Manual
- Material:MDF Board/Steel



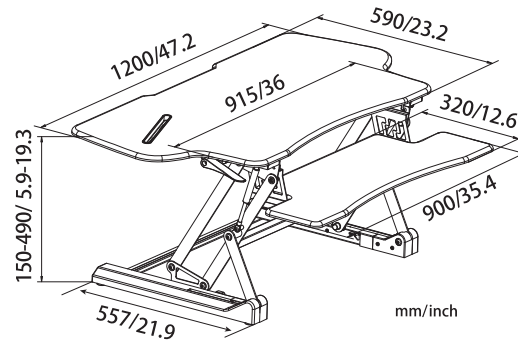
HOT



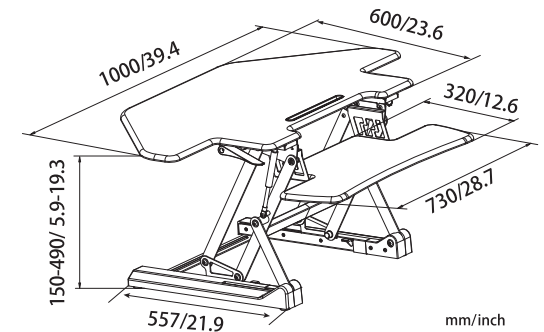
VM-GLD07



VM-GLD07S



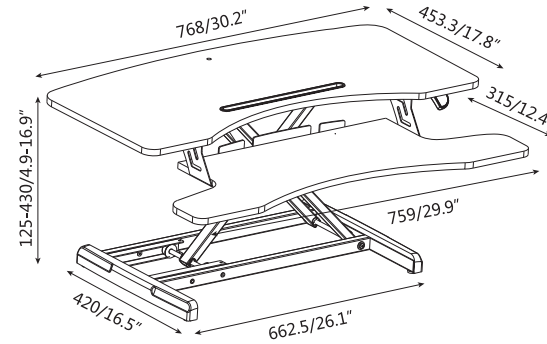
VM-GLD07L



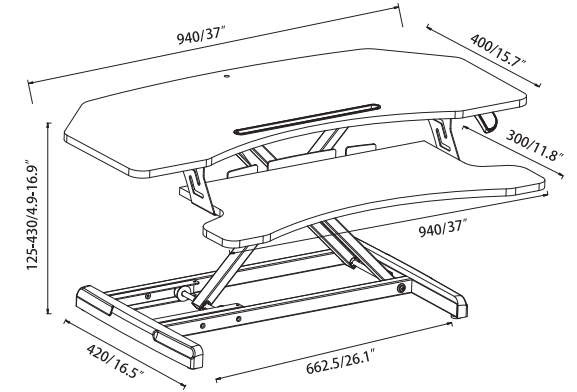
VM-GLD07T

Sit & Stand Desktop

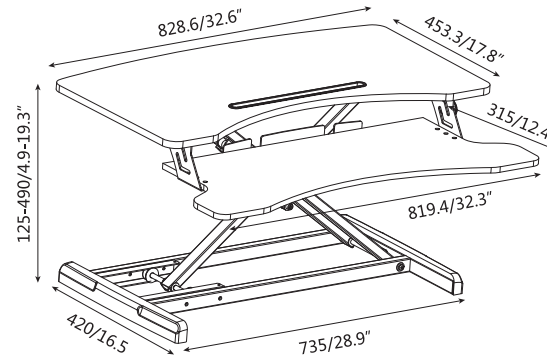
- Desktop Load Capability:13kgs/28.6lbs
- Keyboard Load Capability: 2kgs/5lbs
- By Function:Manual
- Material:Particle Board/Steel



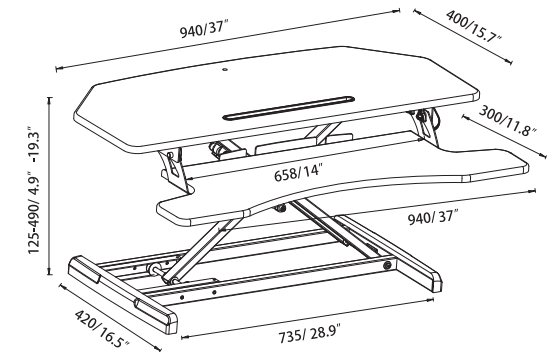
VM-GSD63



VM-GSD63T



VM-GSD63H



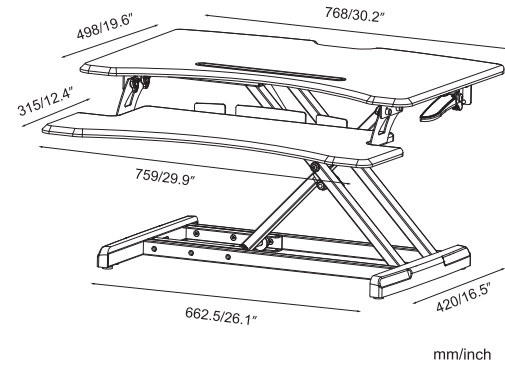
VM-GSD63HT

HOT

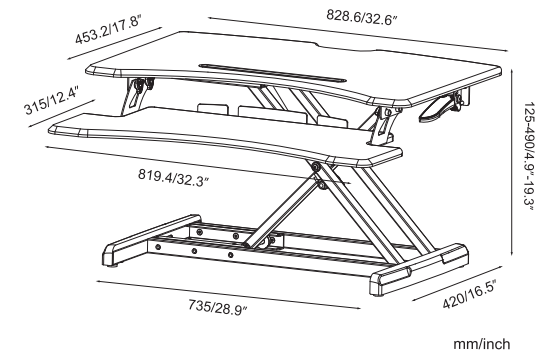


Sit & Stand Desktop

- Desktop Load Capability:13kgs/28.6lbs
- Keyboard Load Capability: 2kgs/5lbs
- By Function:Manual
- Material:MDF Board/Steel
- Fast insert keyboard tray
- Lockable gas spring



VM-GSD33



VM-GSD33H

Sit & Stand Desktop

Gas Spring Lifting Mechanism Allows for Easy and Smooth Lifting Motion.



Lifting handle

A lifting mechanism which allows for simple and smooth height adjustments at the squeeze of a handle.



Enlarged keyboard tray

Keyboard bevel design, fits your wrist, Better user experience.



Desktop storage slot

A device slot provides extra space for cell phones, pens, etc.

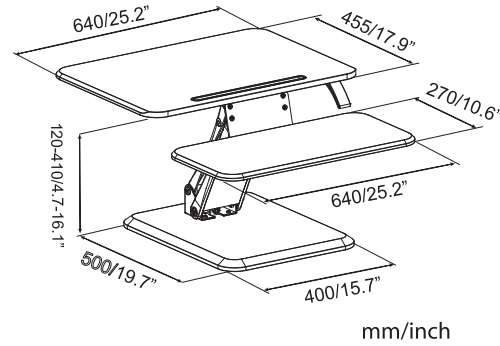


Gas Spring

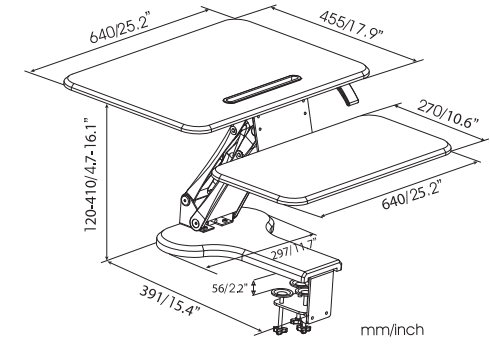
Go from sitting to standing in one easy smooth motion with gas spring force.

Sit & Stand Desktop

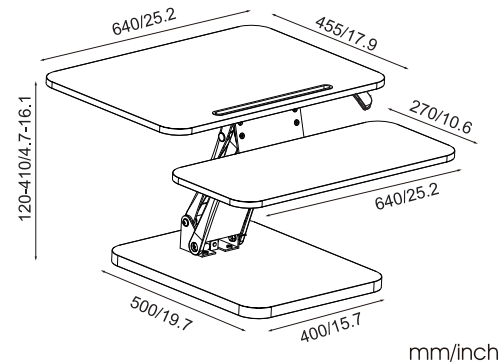
- Desktop Load Capability:0-10kgs/0-22lbs
- Keyboard Load Capability: 2kgs/5lbs
- By Function:Manual
- SD05 Material:MDF Board/Steel
- GSD75 Material:Particle Board/Steel



VM-SD05



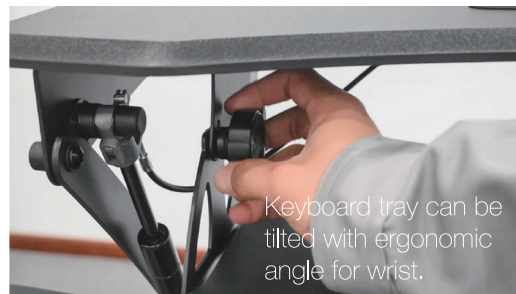
VM-SD05C



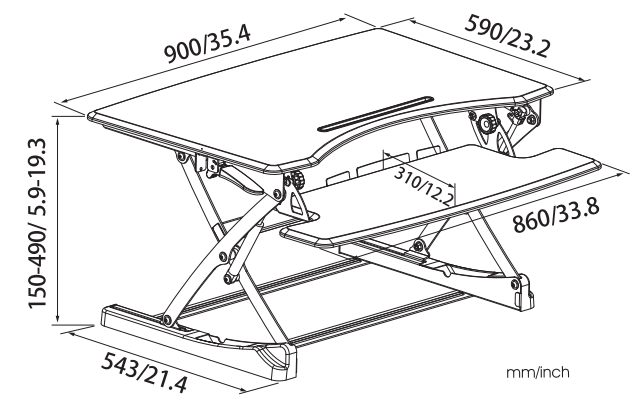
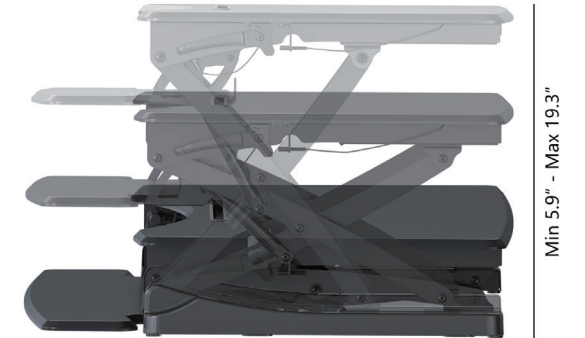
VM-GSD75

Sit & Stand Desktop

- Desktop Load Capability:0-15kgs/0-33lbs
- Keyboard Load Capability: 2kgs/5lbs
- By Function:Manual
- Material:MDF Board/Steel



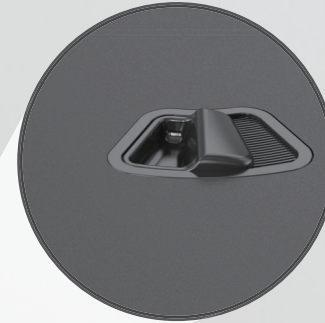
VM-SD10



Ultra-Slim Sit & Stand Desktop

- Desktop Load Capability:0-10kgs/0-22lbs
- Ultra-slim,only 1.8"
- By Function:Manual
- Material:Particle Board/Steel
- Size:795x500x45-407mm

VM-GSD73



One touch lifting
Stable and Smooth



Natural rubber mat,
preventing scratch.



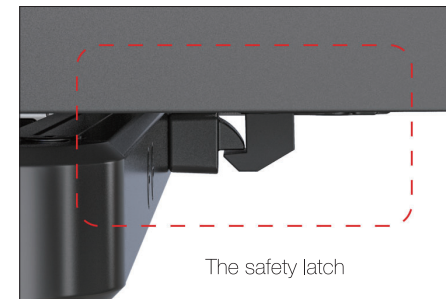
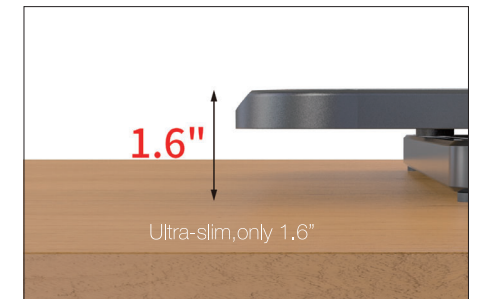
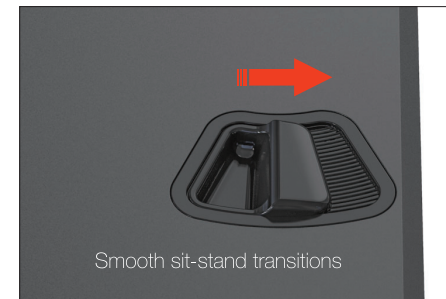
HOT



Ultra-Slim Sit & Stand Desktop

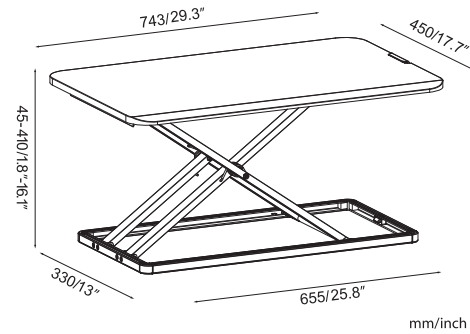
- Desktop Load Capability:0-10kgs/0-22lbs
- Ultra-slim,only 1.6"
- By Function:Manual
- Material:MDF Board/Steel
- Size:795x500x45-407mm

VM-LD03

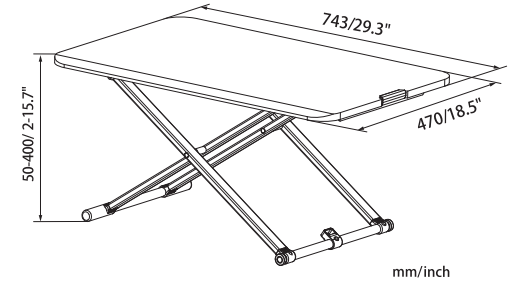


Ultra-Slim Sit & Stand Desktop

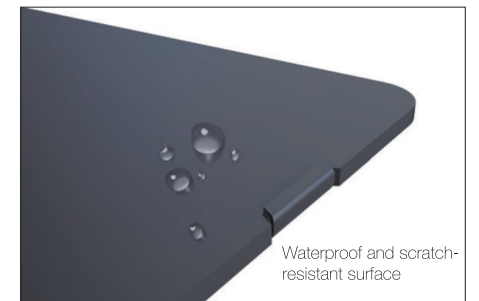
- Desktop Load Capability:0-10kgs/0-22lbs
- Ultra-slim,only 1.8"
- By Function:Manual
- Material:MDF Board/Steel



VM-SD04M

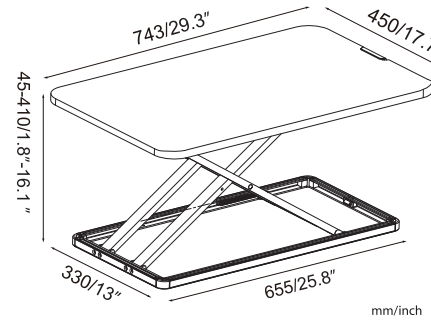


VM-SD14

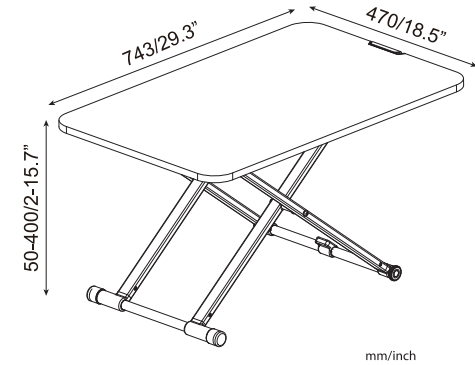


Ultra-Slim Sit & Stand Desktop

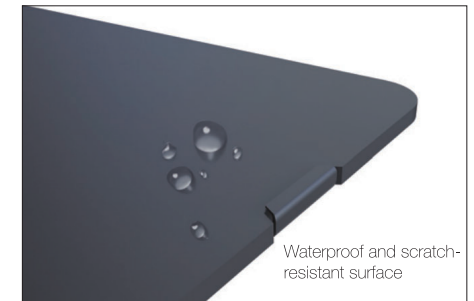
- Desktop Load Capability:0-10kgs/0-22lbs
- Ultra-slim,only 1.8"
- By Function:Manual
- Material:Particle Board/Steel



VM-GSD71



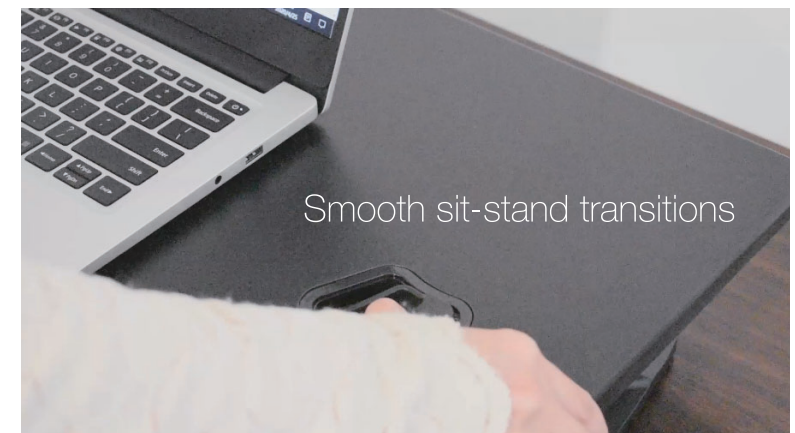
VM-GSD72



Ultra-Slim Sit & Stand Desktop

- Desktop Load Capability:0-10kgs/0-22lbs
- Ultra-slim,only 1.77"
- By Function:Manual
- Material:MDF Board/Steel
- Size:740x430x45-400mm

VM-SD15



Electric Sit & Stand Desktop

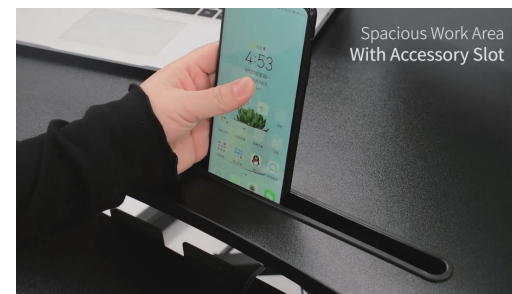
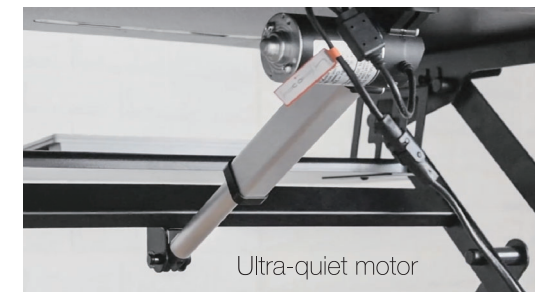
The electric series make the transition from sitting to standing with the touch of a button.

VM-GSD63E

HOT

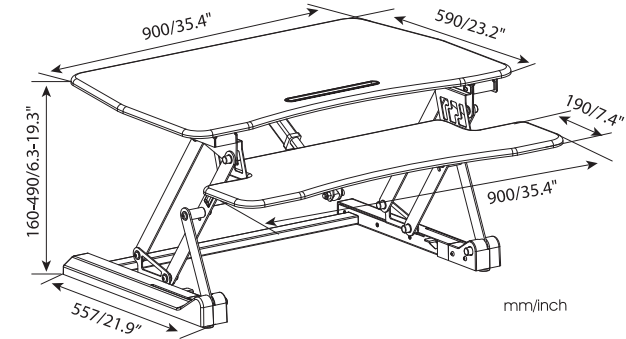
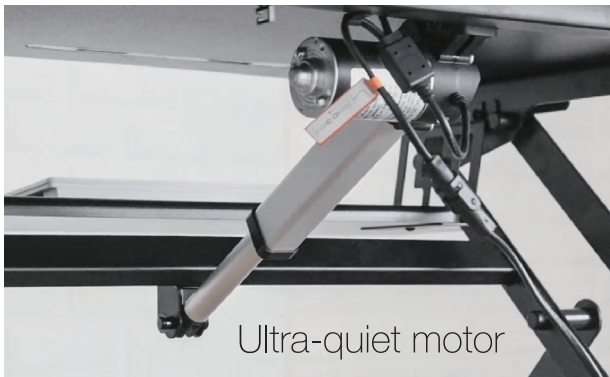


- Desktop Load Capability:0-15kgs/0-33lbs
- Keyboard Load Capability: 2kgs/5lbs
- By Function:Electric
- Material:Particle Board/Steel
- Size:800x498x155-435mm

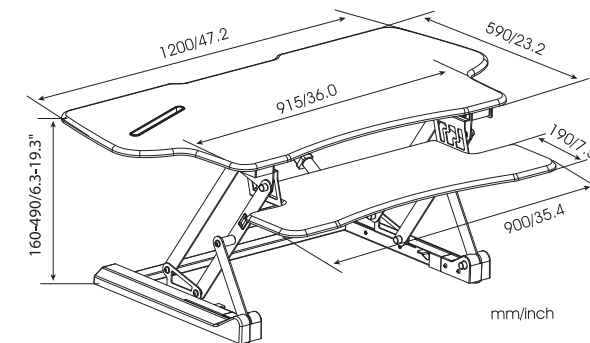


Electric Sit & Stand Desktop

- Desktop Load Capability:0-15kgs/0-33lbs
- Keyboard Load Capability: 2kgs/5lbs
- By Function:Electric
- Material:MDF Board/Steel



VM-LD07E

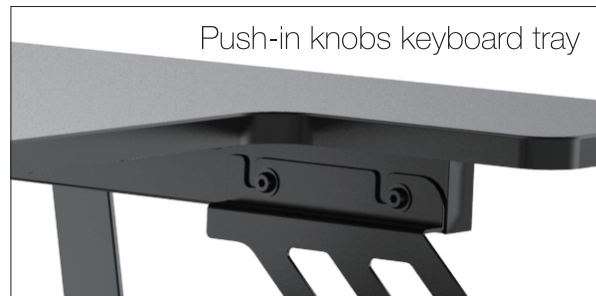


VM-LD07L-E

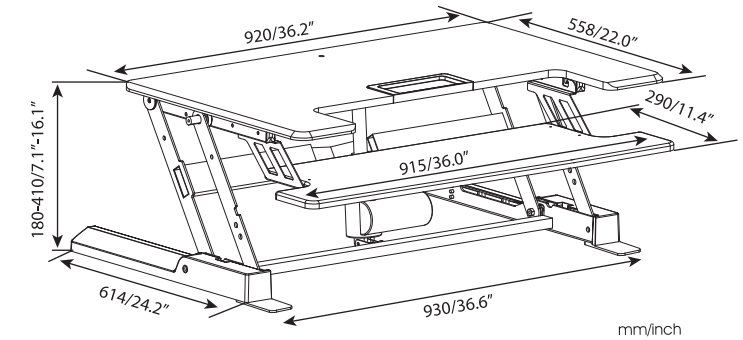


Electric Sit & Stand Desktop

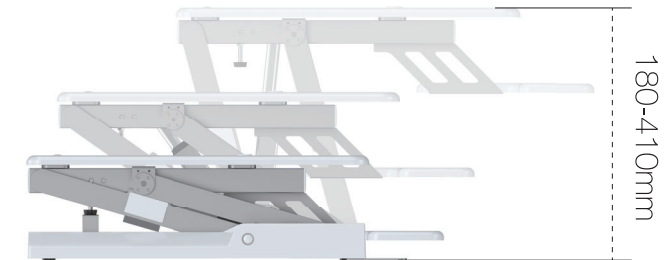
- Desktop Load Capability:0-15kgs/0-33lbs
- Keyboard Load Capability: 2kgs/5lbs
- By Function:Electric
- Material:MDF Board/Steel



HOT

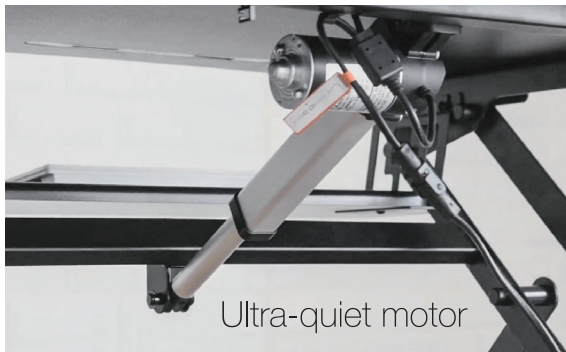


VM-LD02E



Electric Sit & Stand Desktop

- Desktop Load Capability:0-15kgs/0-33lbs
- Keyboard Load Capability: 2kgs/5lbs
- By Function:Electric
- Material:MDF Board/Steel
- Size:915x590x165-485mm



Electric Children Healthy Study Height Adjustable Desk

Desktop Size: 47.05"x 25.39"

Height Range:20.2"-30.1"

Desktop Tilt: 0-60°

Load Capacity:100kg

Frame Color: Black,White,Silver

Power Input:100V-224V

Material: MDF+Steel




Max Speed:25mm/S

Motion Noise:55DB

VM-BHE01



National plate formaldehyde content standard

- E2 level  5.0mg/L pseudo solid wood with paint
- E1 level  1.5mg/L children's formaldehyde international upper limit
- E0 level  0.5mg/L solid wood composite board

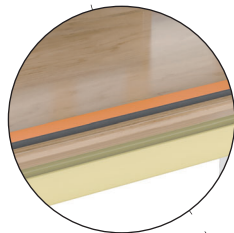
VISION Study desk  0.3mg/L



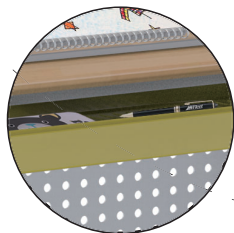
Integrated bookshelf, proper partition and large capacity



Table surface anti-slip mat design



Sliding keyboard tray, pen tray design, organize the school tools in right places



VM-BHE01

One-touch electric lifting stable, smooth and silent



Tabletop tilt 0-60°, 12 different height adjustment

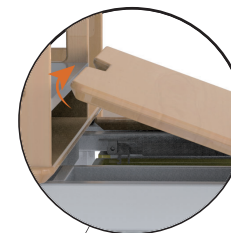


Table legs soft mat design, stable, and protect the floor.

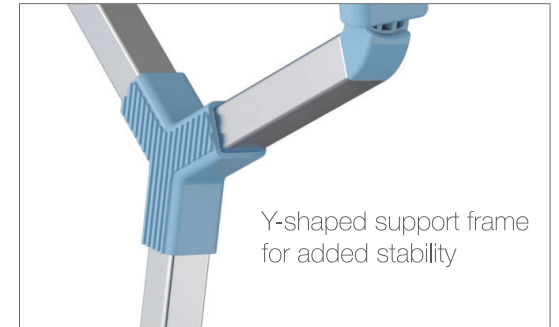


Foldable Bed Comfortable Desk

Max load:5kg/11lbs

Dimension:600x400x45-281mm

Folding table legs,easy to carry.





VISION
MOUNTS

THANK YOU !